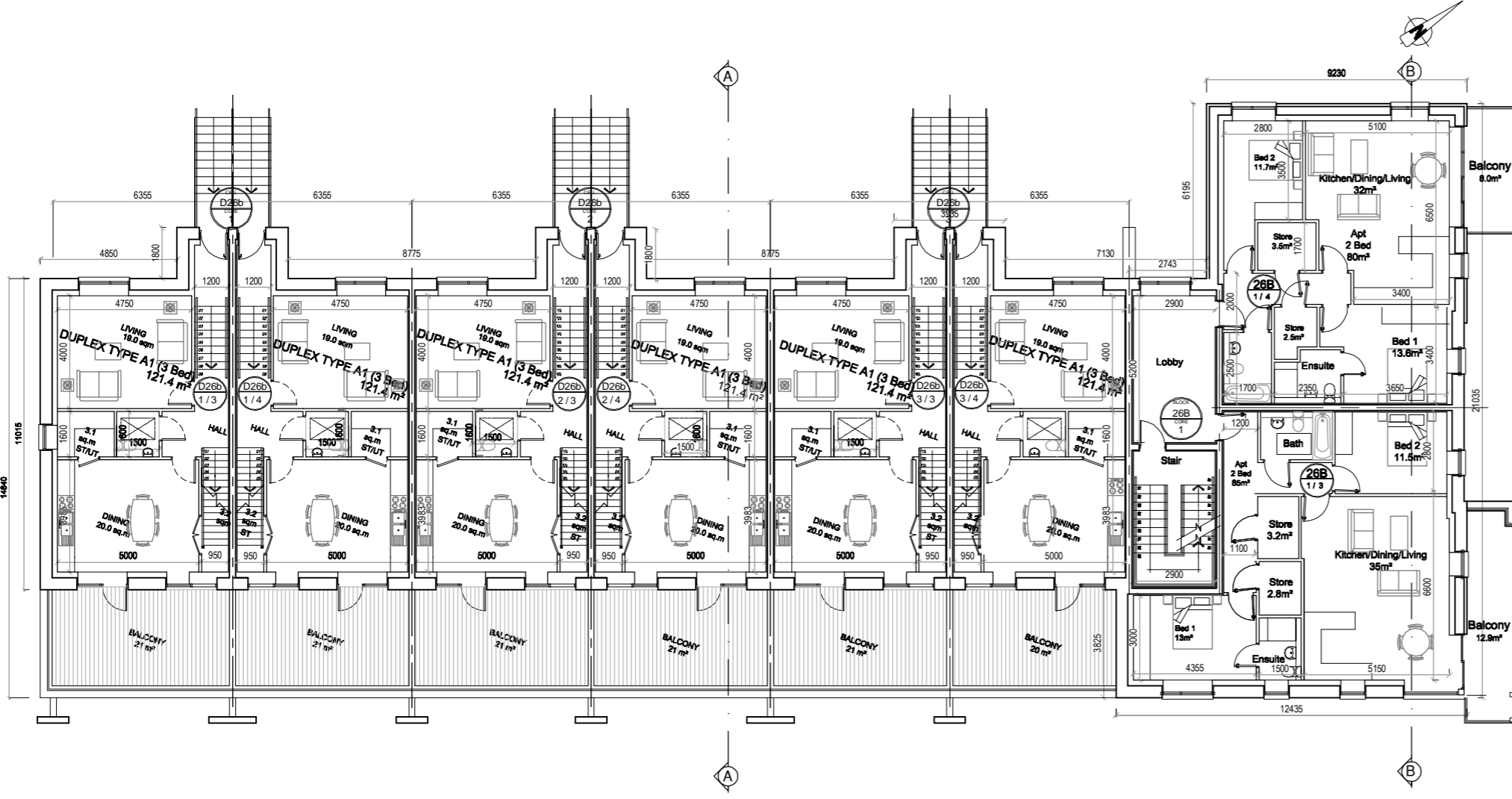
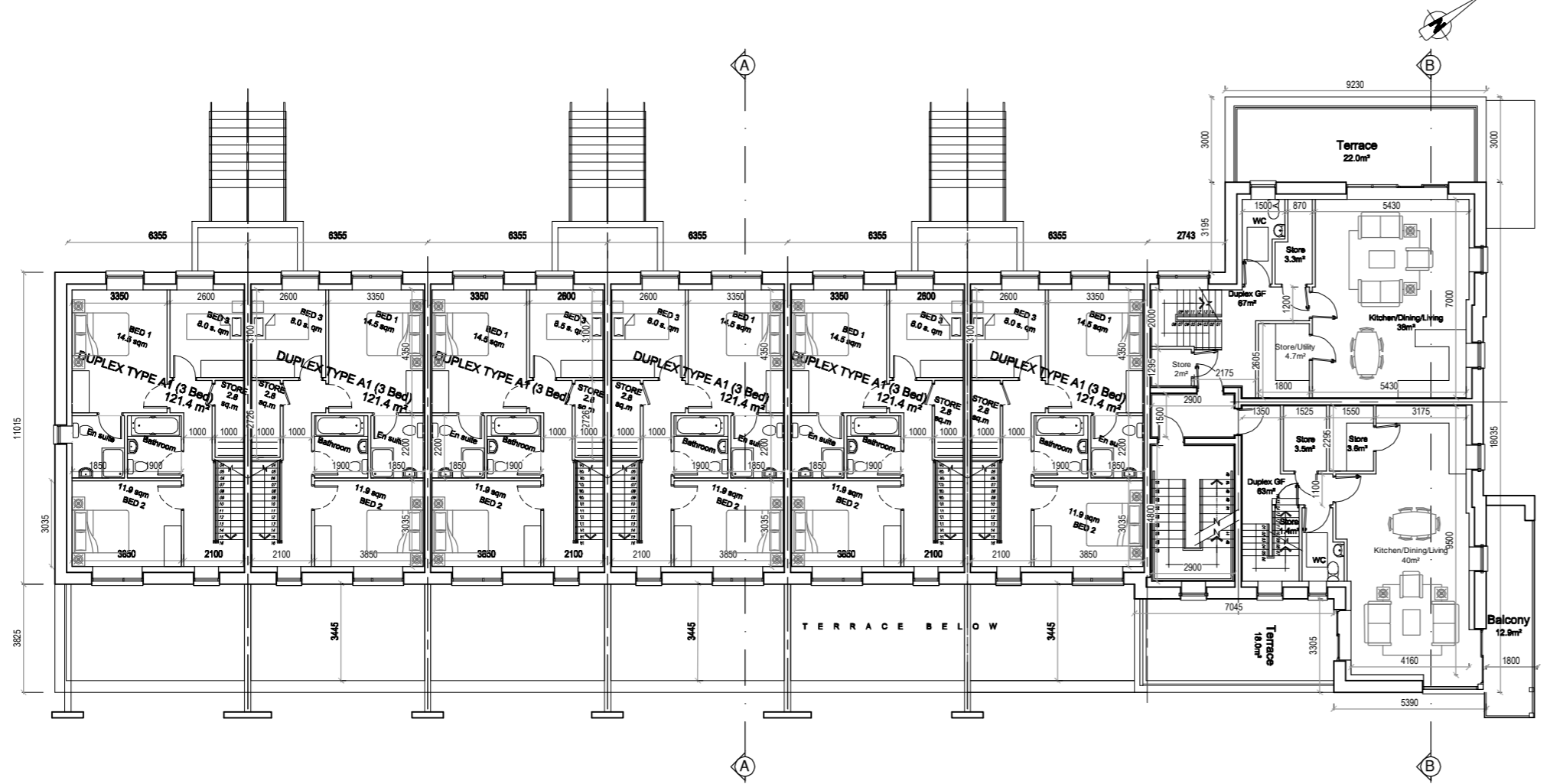


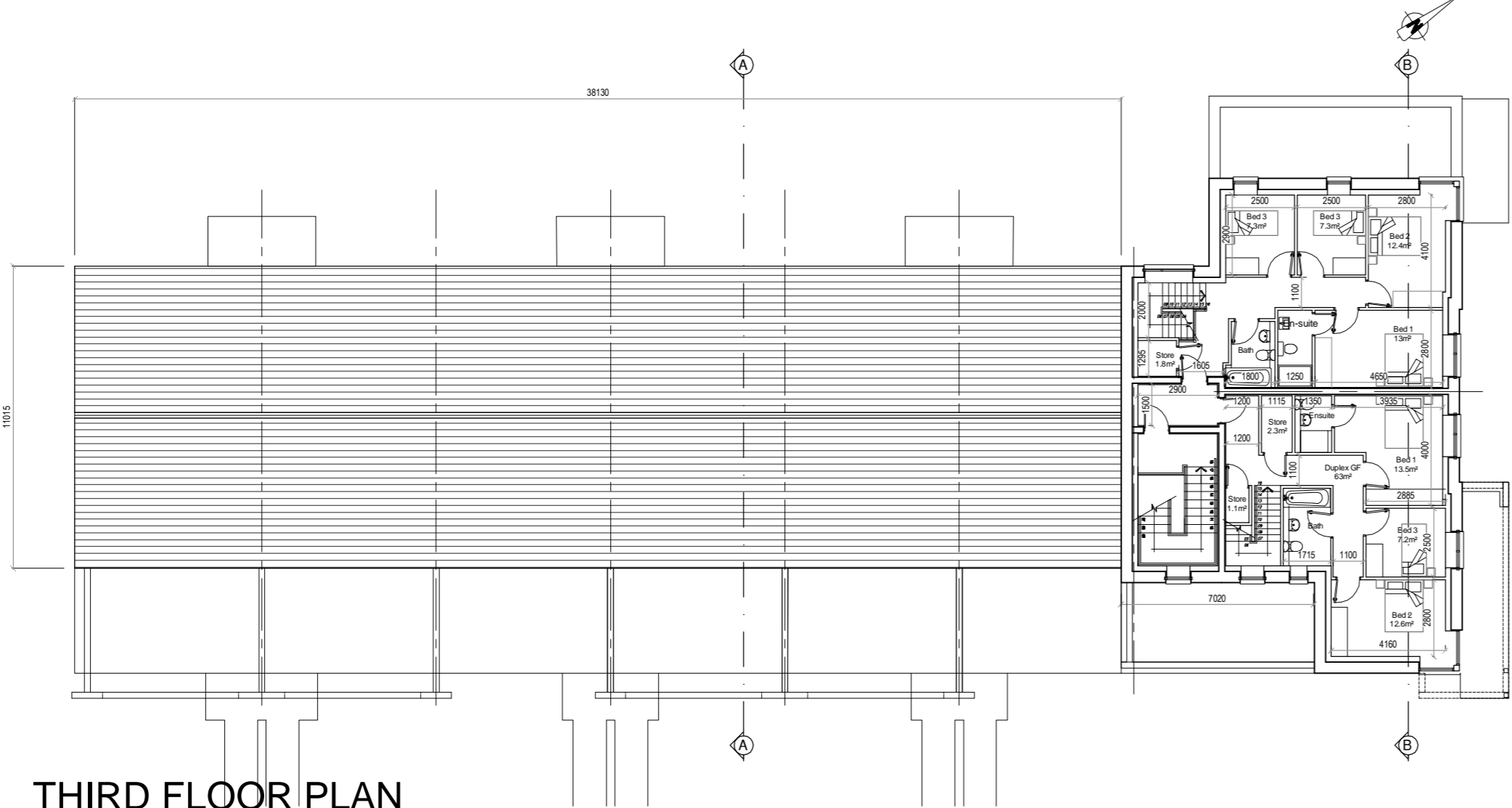
GROUND FLOOR PLAN



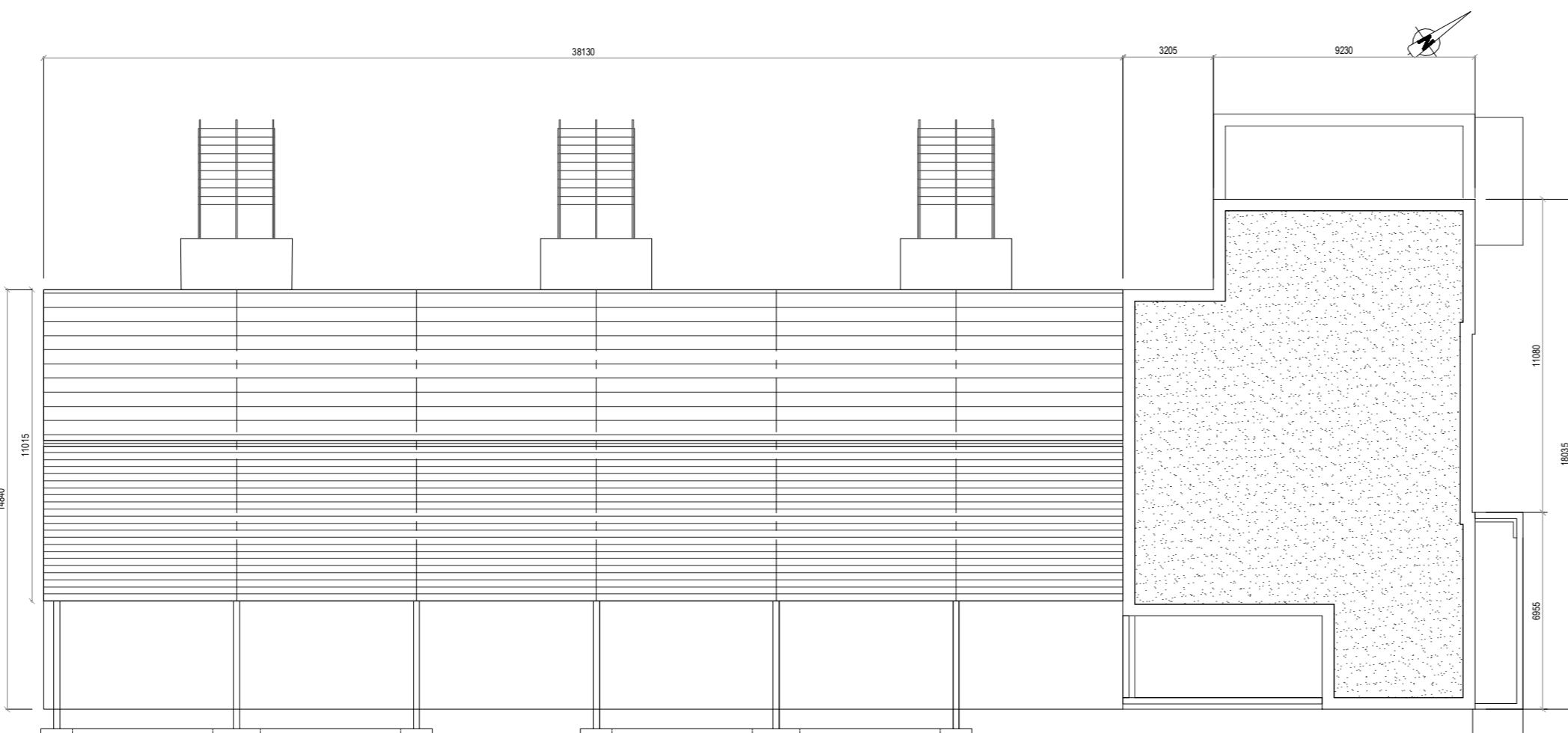
FIRST FLOOR PLAN



SECOND FLOOR PLAN



THIRD FLOOR PLAN



ROOF PLAN

GENERAL NOTES

THIS DRAWING TO BE READ IN CONJUNCTION WITH ARCHITECT'S DRAWINGS, CONSULTANT ENGINEER'S DRAWINGS AND SPECIFICATIONS & LANDSCAPE ARCHITECTS DRAWINGS
 REFER TO ARCHITECT'S SITE PLAN PL002 and PL003 FOR NORTH ORIENTATION.
 LEVELS GIVEN ON HOUSE TYPE DRAWINGS ARE GIVEN TO A LOCAL ABSOLUTE ZERO LEVEL. FOR SPECIFIC LEVELS DEPENDING ON INDIVIDUAL UNIT LOCATION, REFER TO ARCHITECT'S CONTEXT SECTIONS AND ENGINEER'S DRAWINGS WHERE LEVELS ARE ALL GIVEN IN RELATION TO LAND SURVEYOR'S BENCHMARK BASED ON MALIN HEAD DATUM LEVEL.

REFER TO SITE LAYOUT PLAN FOR NORTH ORIENTATION
 REFER TO CONSULTING ENGINEERS DRAWINGS FOR BLOCK LEVELS

NOTES ON FINISHES:

- ROOF : TO BE FINISHED IN SLATE OR CONCRETE ROOF TILES IN SELECTED COLOUR OR SIMILAR APPROVED.
- FLAT ROOF: SINGLE PLY MEMBRANE & PRESSED METAL CAPPINGS & FLASHINGS.
- WALLS : SELECTED CLAY BRICKWORK WHERE INDICATED OTHERWISE PAINTED SAND / CEMENT RENDER OR SELF COLOURED RENDER OR DRY-DASH TO CONCEALED SIDE GABLES. NATURAL STONE CLADDING AS INDICATED.
- JOINERY : ALL WINDOWS AND DOORS, FRAMES AND LEAVES, TO BE ALUMINIUM POWDER-COATED TO APPROVED COLOUR OR UPVC OR PAINTED TIMBER TO APPROVED COLOUR. OBSCURE GLAZING WHERE INDICATED TO SENSITIVE WINDOWS. CURTAIN WALLING TO PENTHOUSE & FEATURE CORNERS.
- RAINWATER GOODS : GUTTERS, DOWNPIPES, AND FIXINGS TO BE UPVC OR ALUMINIUM POWDER COATED TO SELECTED COLOUR TO MATCH ROOF SLATES
- * SOLAR PANELS: INDICATIVE SOLAR PANEL POSITION, FINAL SOLAR PANEL POSITION DEPENDS ON HOUSE ORIENTATION. THE SOLAR PANELS SHOWN ARE A PROVISIONAL OPTION TO SATISFY RENEWABLE ENERGY REQUIREMENTS OF BUILDING REGS PART L. SOLAR PANELS MAY BE OMITTED IN FAVOUR OF ALTERNATIVE RENEWABLE ENERGY SOURCE.

KEY PLAN (N.T.S.)



NOTES:

DO NOT SCALE FROM DRAWINGS. WORK TO FIGURED DIMENSIONS ONLY. ARCHITECT TO BE NOTIFIED OF ALL DISCREPANCIES.

REVISIONS		
DATE	DESCRIPTION	No.

 MFCROSSAN OROURKE MANNING ARCHITECTS	PROJECT TITLE: The Willows, Dunshaughlin	DATE: Dec'18	DRAWN BY: DE
	DRAWING TITLE: Proposed Duplex Cell 26b	SCALE: 1:200@A1	REVISION:
	JOB NO: 16028.1	DRAWING NO: 203	
	Albert Place West, Harold's Cross, Dublin 2, Ireland. Tel: 01-4788700 Fax: 01-4788711 E-Mail: info@mfcorm.com		